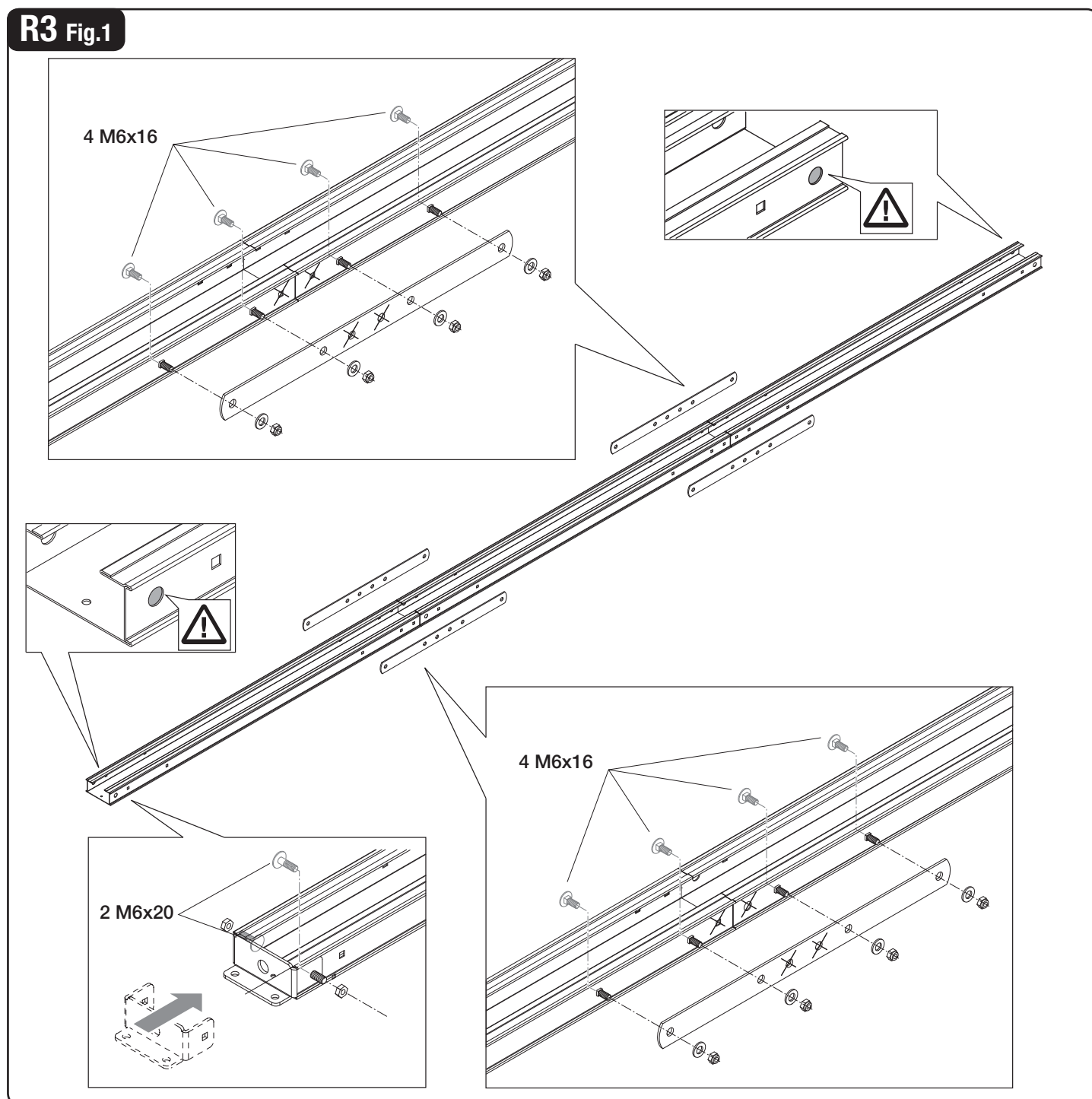


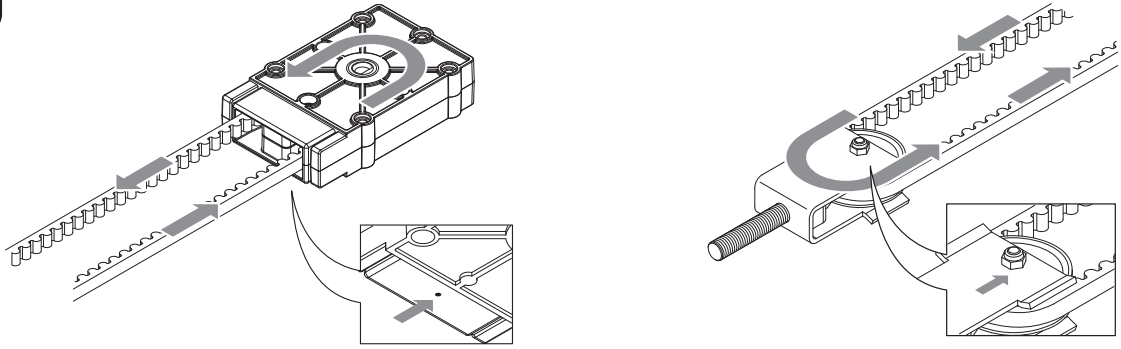
Altezza max. porta: Max. door height: Max. Torhöhe: Hauteur max. porte: Altura máx. de puerta: Wysokość max bramy:	<b>R3</b> 2,5 m	<b>R4L</b> 3,5 m
---	--------------------	---------------------

## R3

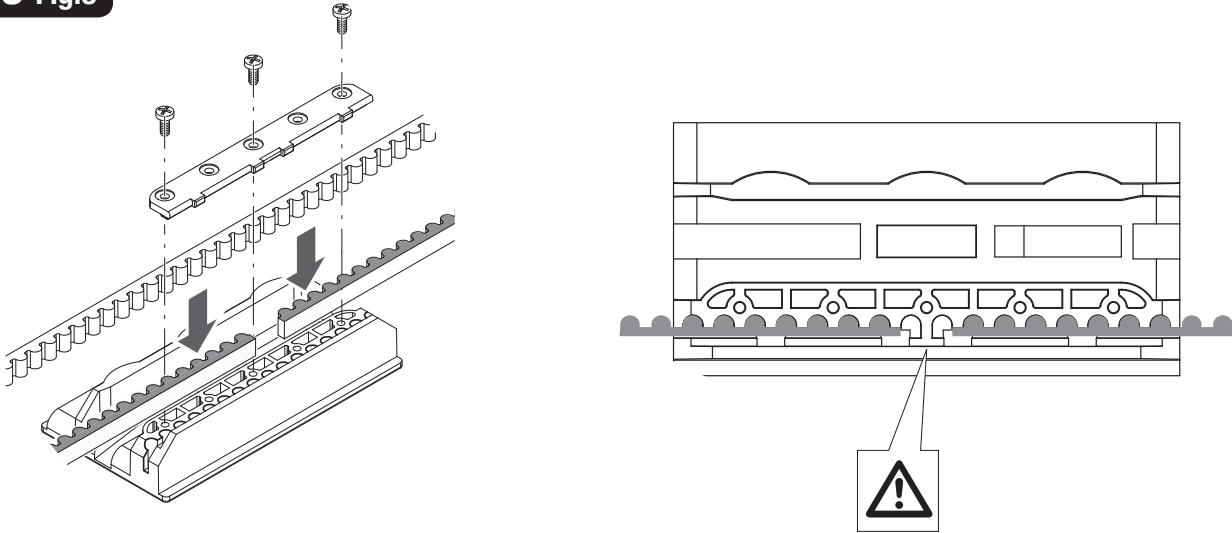
R3 Fig.1



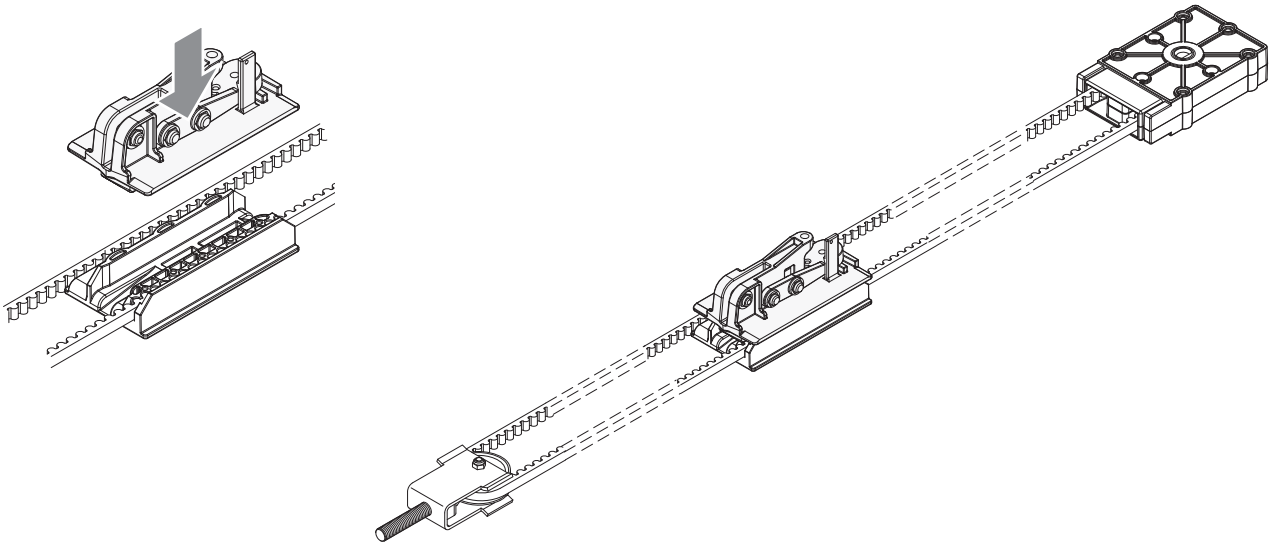
**R3 Fig.2**



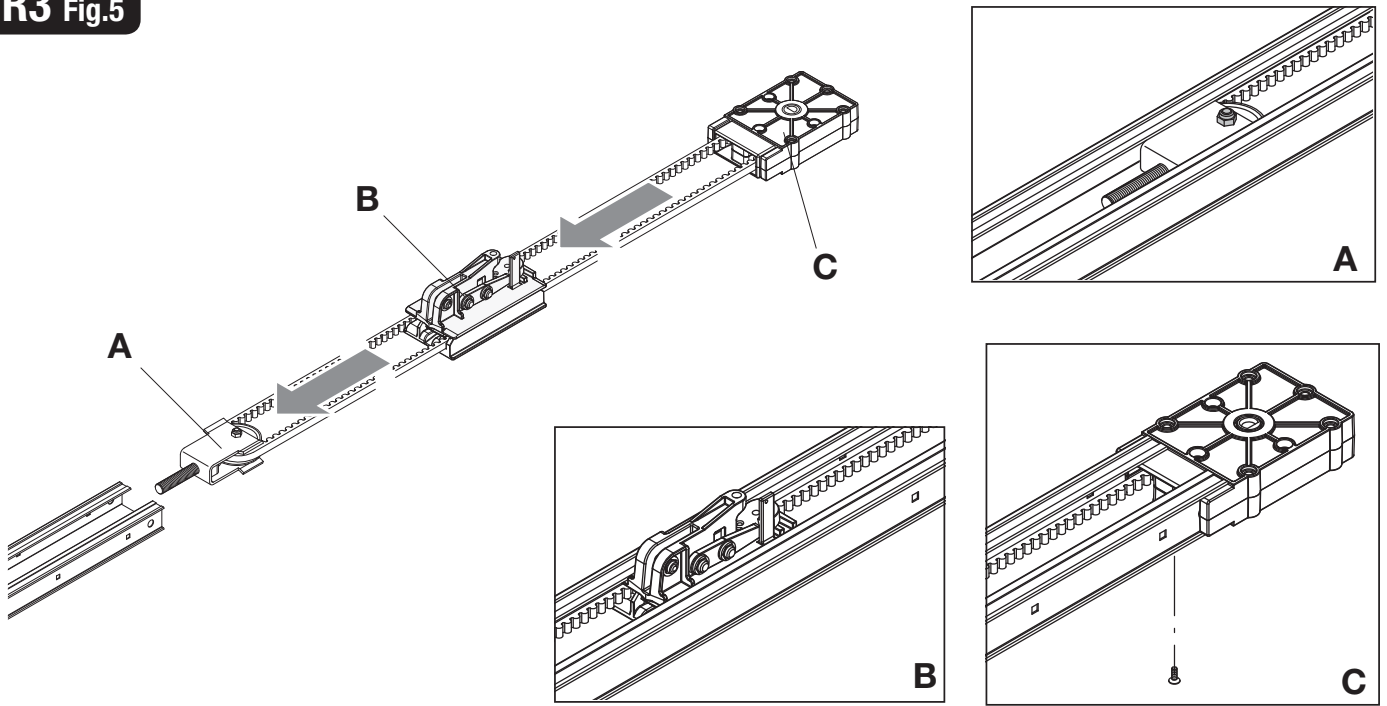
**R3 Fig.3**



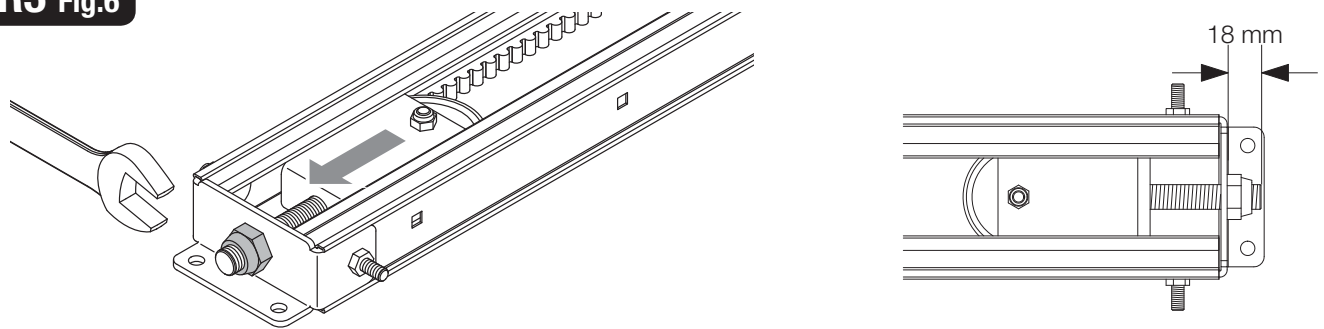
**R3 Fig.4**



**R3 Fig.5**

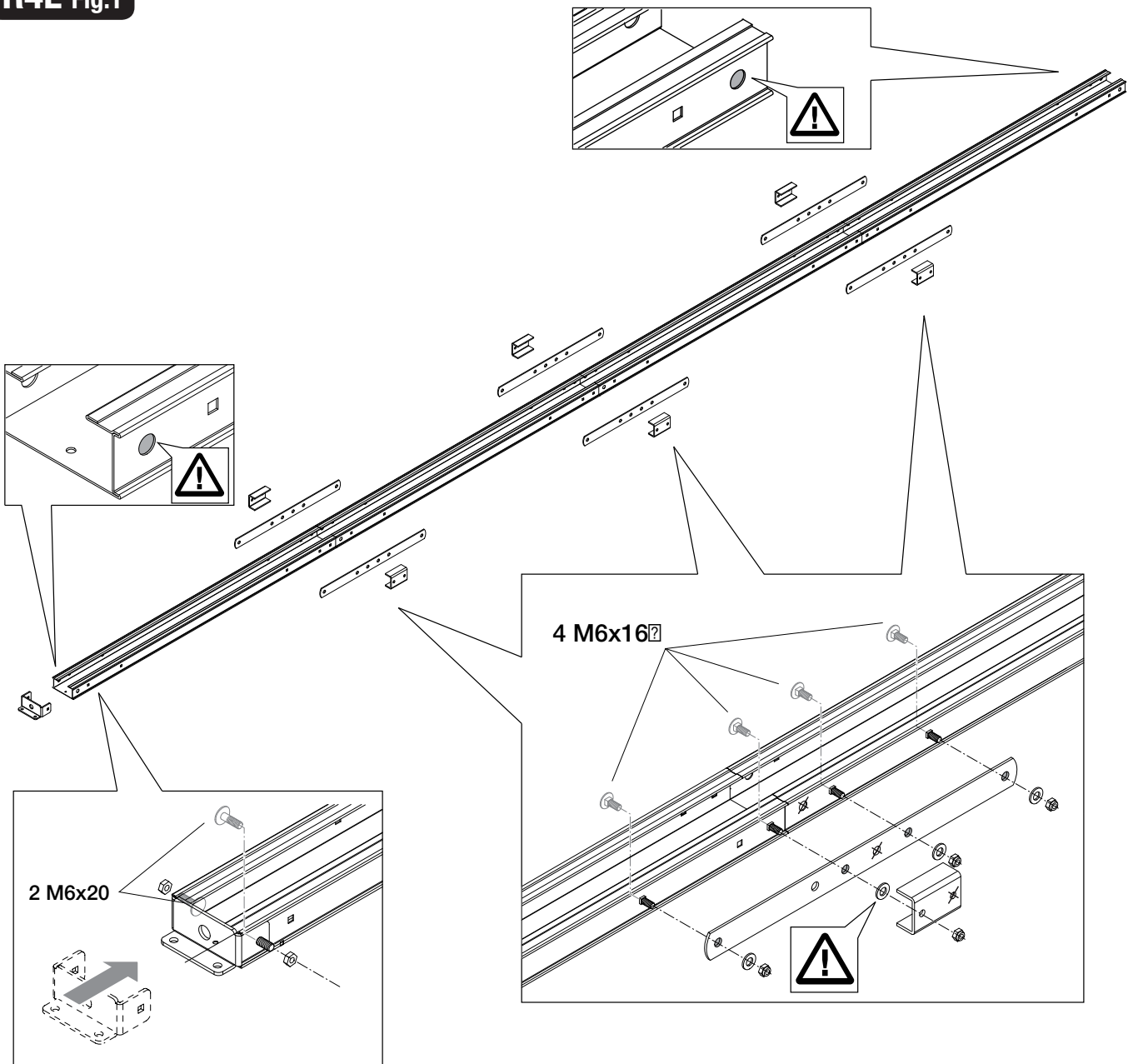


**R3 Fig.6**

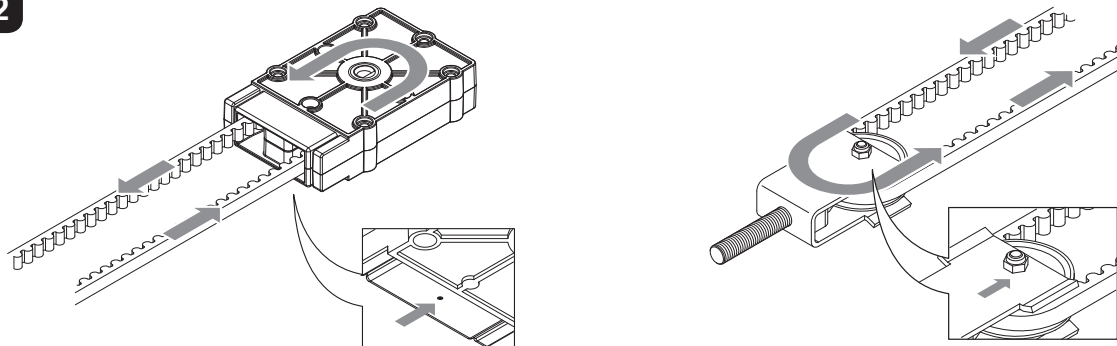


# R4L

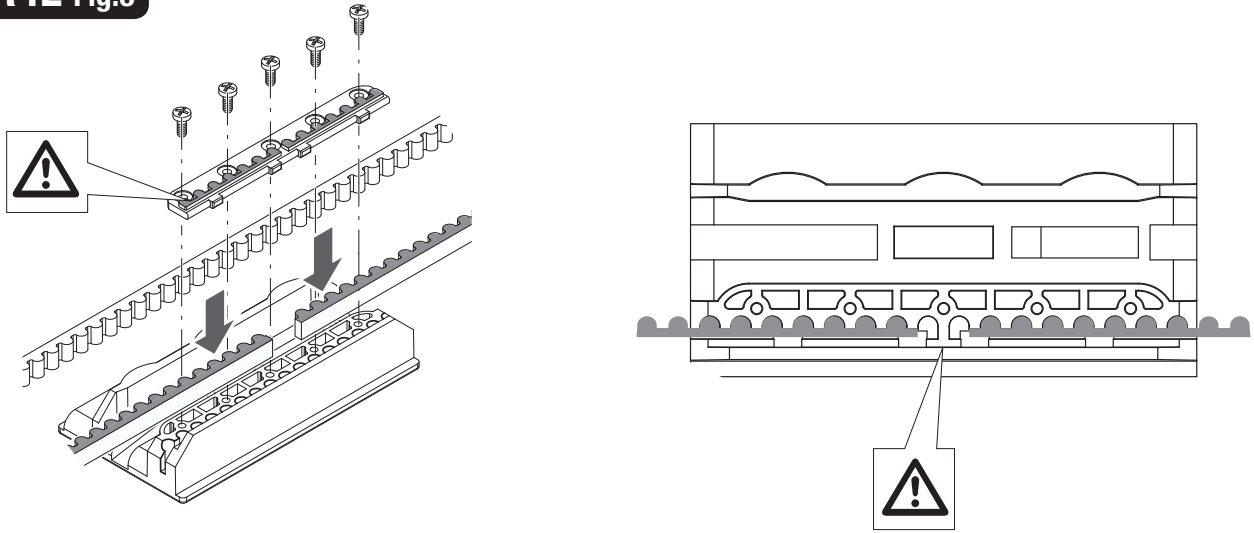
R4L Fig.1



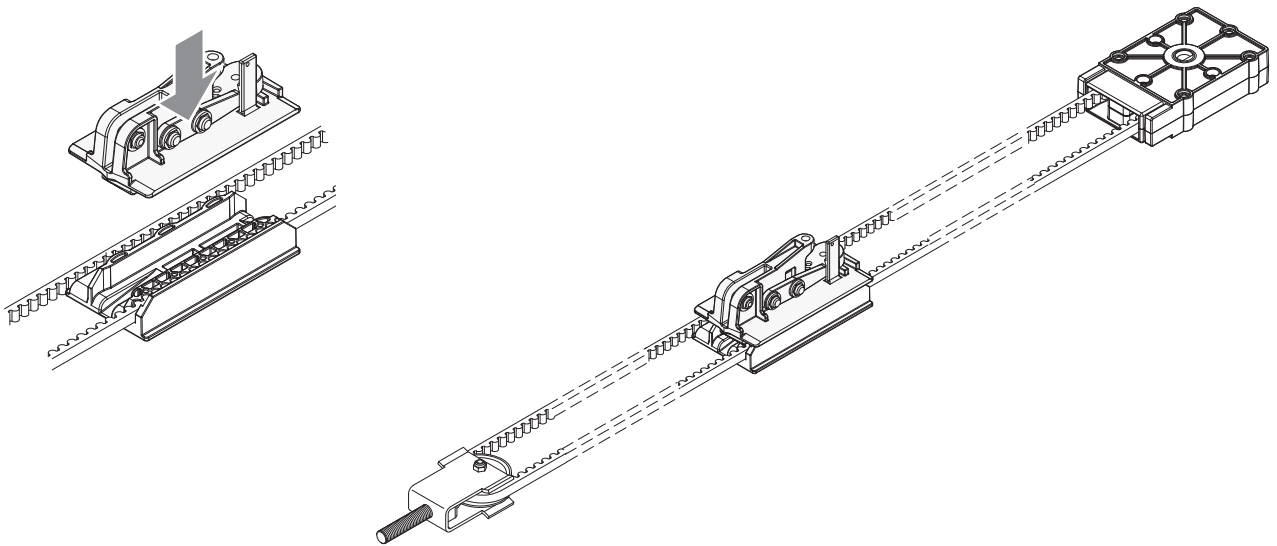
R4L Fig.2



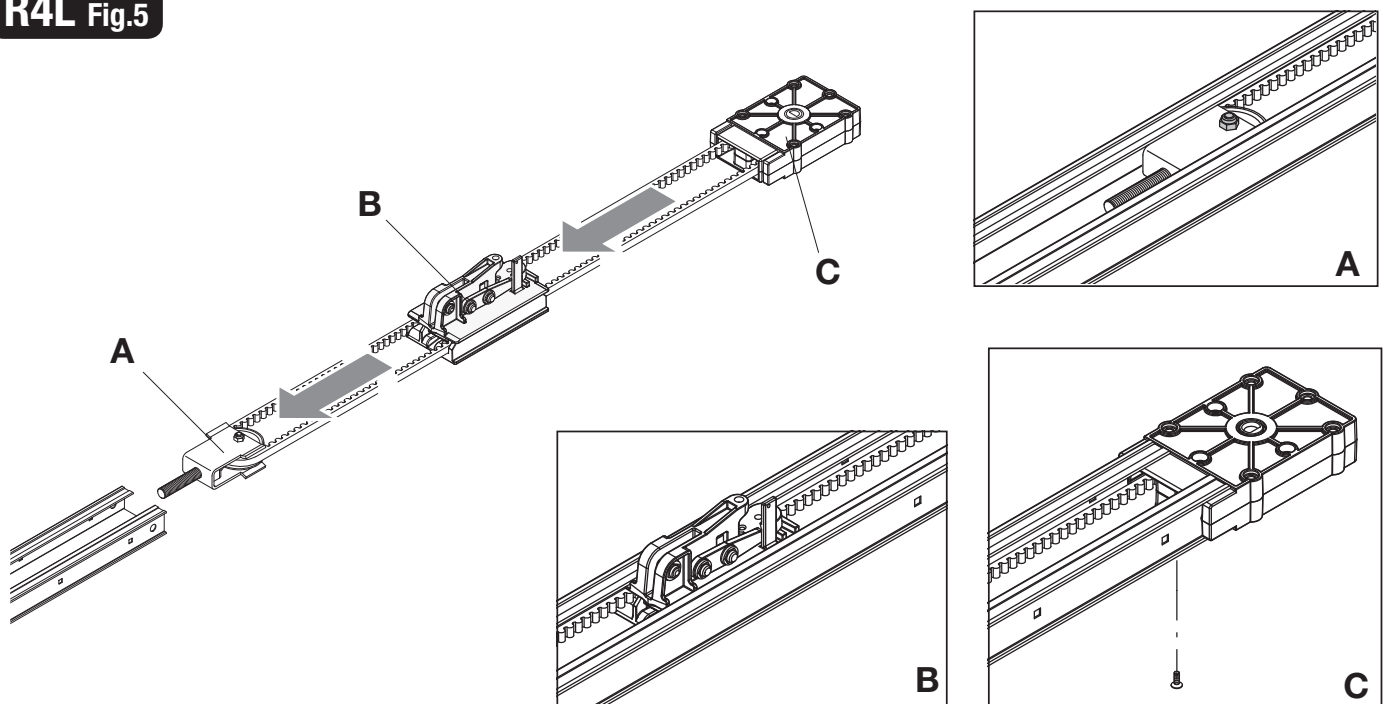
**R4L Fig.3**



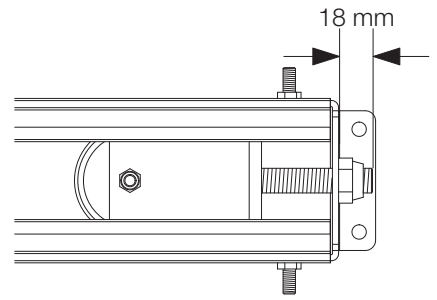
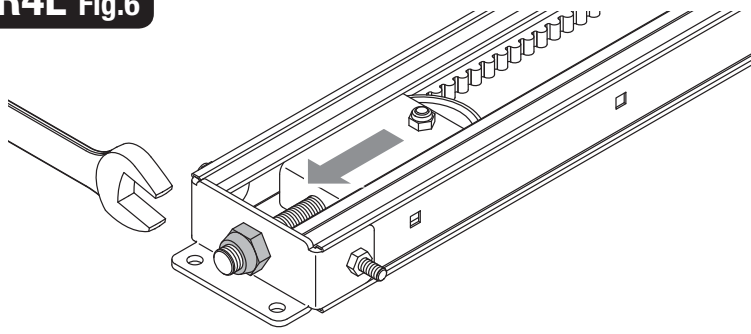
**R4L Fig.4**



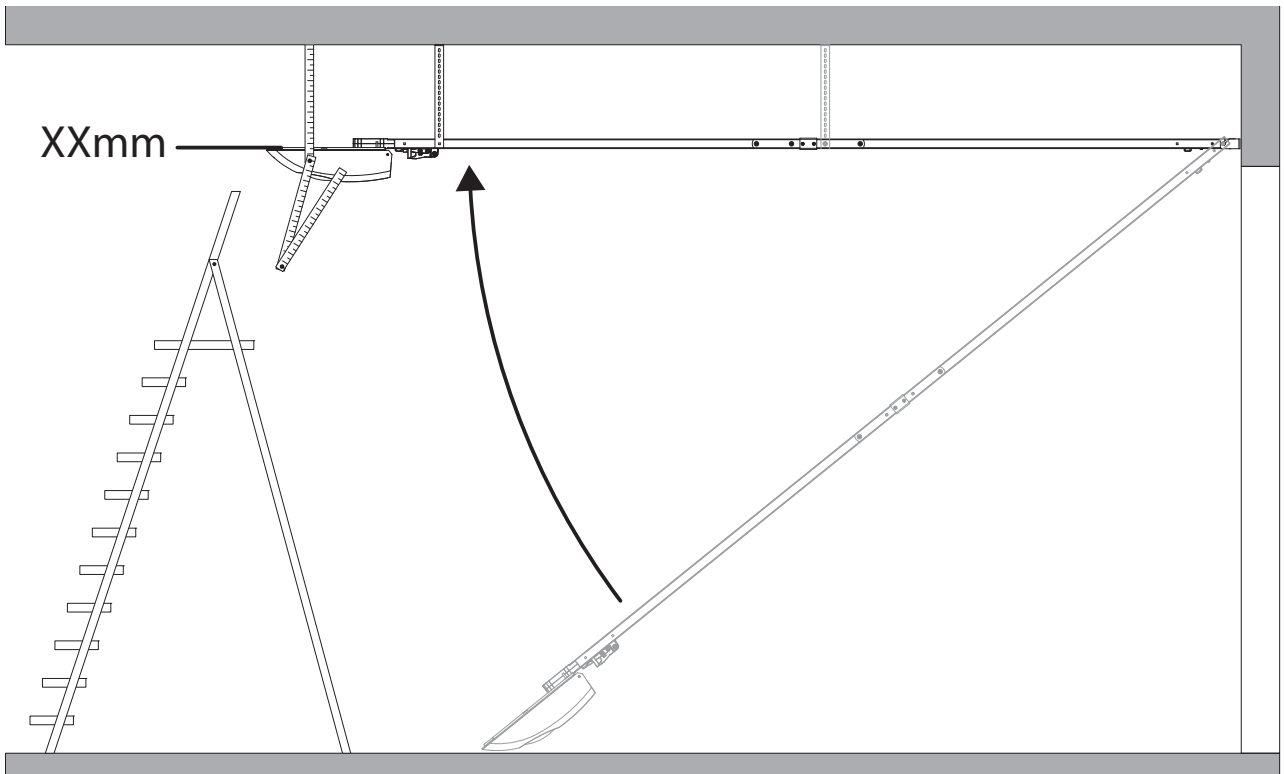
**R4L Fig.5**



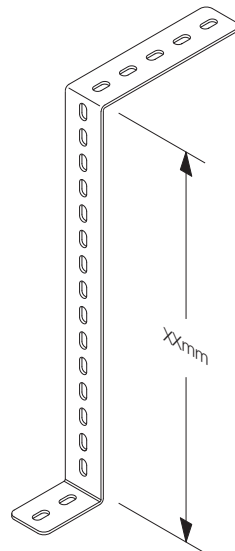
**R4L Fig.6**



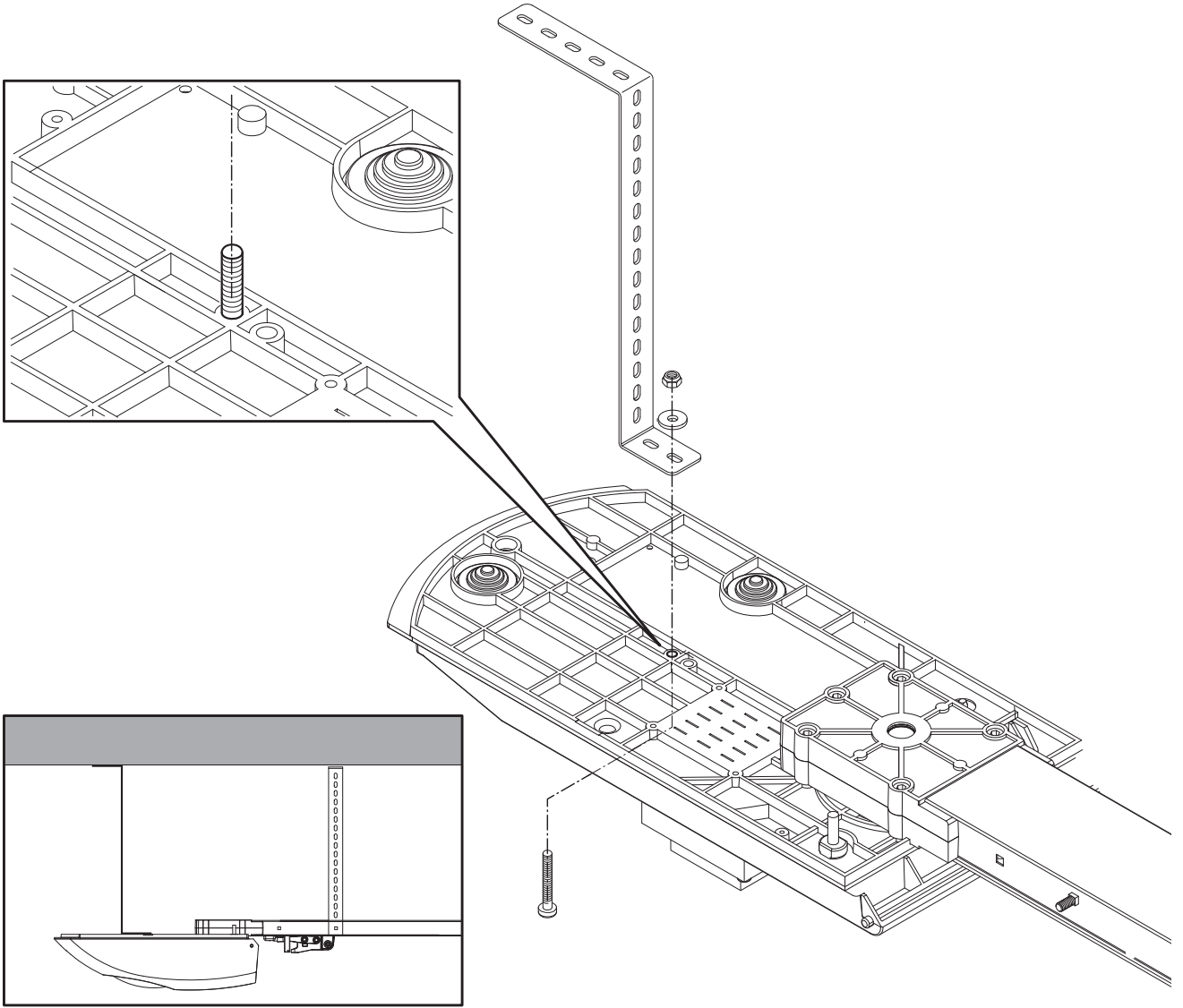
**R4L Fig.7**



**R4L Fig.8**



R4L Fig.9



**BENINCA<sup>®</sup>**

**AUTOMATISMI BENINCÀ** SpA - Via Capitello, 45 - 36066 Sandrigo (VI) - Tel. 0444 751030 r.a. - Fax 0444 759728

---